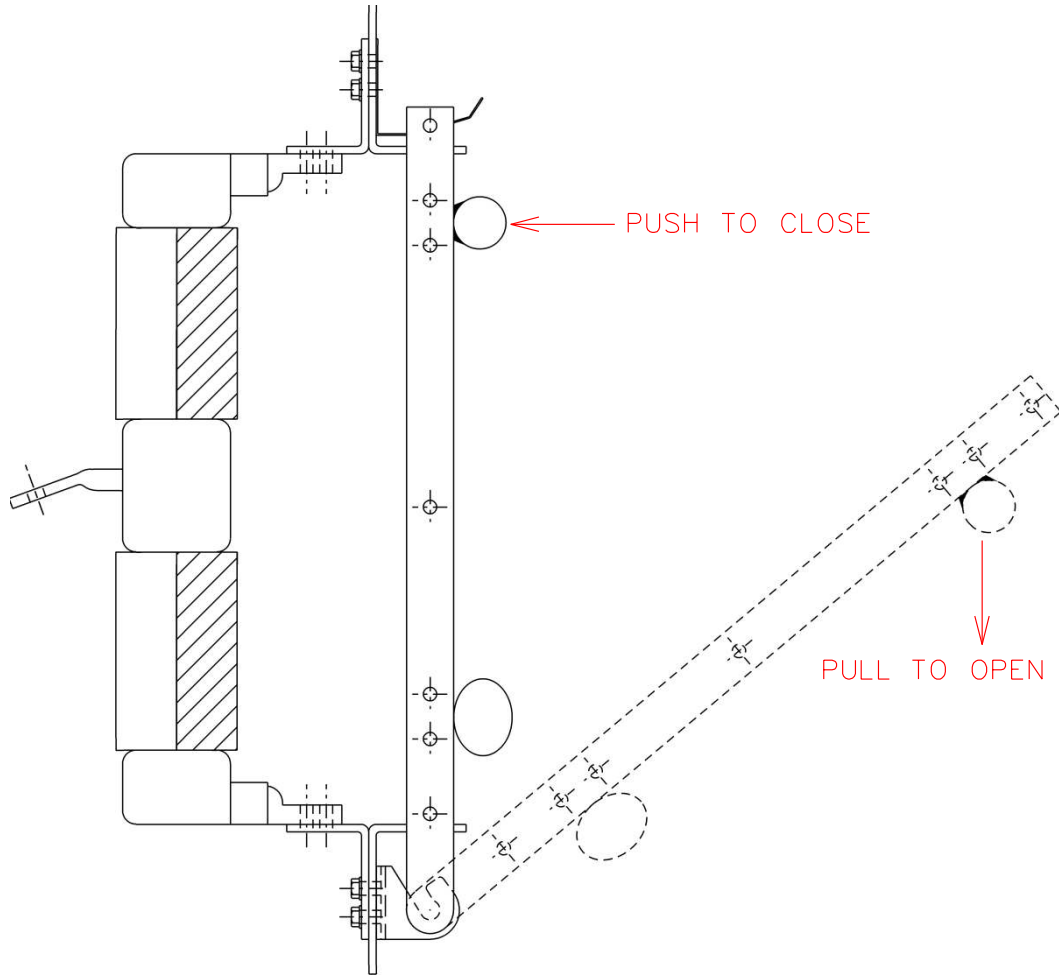



NOTE :  
 DOUBLE BLADE FOR 630 AMPS.  
 EARTHING PIN REQUIRED.  
 V-TYPE ARRANGEMENT IS NOT ACCEPTABLE.  
 DRAWING NOT FOR MANUFACTURING PURPOSES.


ITEM	:- FIXED SWITCH DISCONNECTORS, ELECTRICAL BLADES AND EARTHING PIN						
MATERIAL SPECIFICATION	:- N/A						
CORROSION SPECIFICATION	:- SANS 121, BS 2816;						
STANDARD SPECIFICATION	:- SANS IEC 62271-102, IEC/SANS 62271-1; IEC/SANS 60815; IEC/SANS 61230; NRS 046						
ESKOM SPECIFICATION	:- 240-68973356; 240-130403197;						
TEST & CERTIFICATION REQUIREMENTS	:- 240-68973356; 240-130403197						
INSPECTION	Yes	No	ESKOM RELEASE NOTE		Yes	No	
IDENTIFICATION:- INDELIBLE MANUFACTURES TRADEMARK & PART No. ON ALL ITEMS							
7	SAP 0582355 & 0582356 SHORT, LONG DESCRIPTION UPDATED. SAP 0582362 ADDED.		J.SHINTA	S. VAN AARDE.	S. VAN AARDE.	22/10/2021	
6	0207969, 0207970, 0207971, 0207972, 0582349, 0582350, 0582351, 0582352, 0582353, 0582354, 0582357, 0582358, 0582359, 0582360, 0582361, 0582362 0582363, 0582364, 0582365 REMOVED AND DIAMETER OF EARTH PIN CHANGED FROM M10 TO M12		P.A.T.	S. VAN AARDE.	S VAN AARDE	06.07.2018	
5	REMOVABLE FIXED SWITCH DISCONNECTORS ADDED		P.A.T.	S. VAN AARDE.	S VAN AARDE	11.07.2014	
REV	REVISION DESCRIPTION		BY	CHKD	AUTH	DATE	REF. DWGS
AUTH:	R. THERON	DATE:	14.10.2003	 <b>D-DT-3087</b>		SAP No:	
CHKD:	S. MOLOKO	DATE:	14.10.2003			SET	SHEET
DRAWN:	P.A. VERMAAK	DATE:	09.06.2003	3	1	7	



NOTE :  
 DOUBLE BLADE FOR 630 AMPS.  
 NO EARTHING PIN REQUIRED.  
 V OR POST TYPE ARRANGEMENTS ALSO ACCEPTABLE.  
 DRAWING NOT FOR MANUFACTURING PURPOSES.

ITEM	:- REMOVABLE FIXED SWITCH DISCONNECTORS							
MATERIAL SPECIFICATION	:- N/A							
CORROSION SPECIFICATION	:- SANS 121, BS 2816;							
STANDARD SPECIFICATION	:- SANS IEC 62271-102, IEC/SANS 62271-1; IEC/SANS 60815; IEC/SANS 61230;							
ESKOM SPECIFICATION	:- 240-68973356; 240-130403197;							
TEST & CERTIFICATION REQUIREMENTS	:- 240-68973356; 240-130403197							
INSPECTION	Yes	No	ESKOM RELEASE NOTE		Yes	No		
IDENTIFICATION:- INDELIBLE MANUFACTURES TRADEMARK & PART No. ON ALL ITEMS								
7	SAP 0582355 & 0582356 SHORT, LONG DESCRIPTION UPDATED. SAP 0582362 ADDED.		J.SHINTA	S. VAN AARDE.	S. VAN AARDE.	22/10/2021		
6	0207969, 0207970, 0207971, 0207972, 0582349, 0582350, 0582351, 0582352, 0582353, 0582354, 0582357, 0582358, 0582359, 0582360, 0582361, 0582362 0582363, 0582364, 0582365 REMOVED AND DIAMETER OF EARTH PIN CHANGED FROM M10 TO M12		P.A.T.	S. VAN AARDE.	S VAN AARDE	06.07.2018		
5	REMOVABLE FIXED SWITCH DISCONNECTORS ADDED		P.A.T.	S. VAN AARDE.	S VAN AARDE	11.07.2014		
REV	REVISION DESCRIPTION		BY	CHKD	AUTH	DATE	REF. DWGS	
AUTH:	R. THERON	DATE:	14.10.2003	 <b>D-DT-3087</b>		SAP No:		
CHKD:	S. MOLOKO	DATE:	14.10.2003			SET	SHEET	REV
DRAWN:	P.A. VERMAAK	DATE:	09.06.2003			3	2	7
				SCALE				
				NTS				
				CAD REF:				
				SERIES 3000				
				FILE No:				
				3087				

## SPEC SHEET

SAP MATERIAL No.:	0582355								
SHORT DESCRIPTION:	SWITCH DSCNNCT:REMOVE, CSTL;22 KV;630 A								
TECH. DESCRIPTION:	<p>SWITCH, DISCONNECT: TYPE: REMOVE, CSTL; POTENTIAL: 22 KV;            CURRENT: 630 A; ACTION: PULL TO OPEN; PUSH TO CLOSE;            APPLICATION: SINGLE PHASE LINE OFFLOAD;            SPECIFICATION: CORROSION SANS 121; BS 2816; DPC 34-216;            ESKOM 240-68973356; STD IEC/SANS 60815/61230/62271-1/62271-102;            DISCONNECTOR; REMOVABLE SWITCHBLADE; LINK STICK OPERATED;            RATED VOLTAGE: 24KV; RATED SHORT-TIME (3S) CURRENT: 12.5KA;            BIL - TERMINAL TO EARTHED FIXING STEM: 150KV; MINIMUM CREEPAGE: 31MM/KV;            COMPLETE WITH: PULL-TO OPEN AND PUSH-TO-CLOSE LEVER AND EARTHING PIN;            FOR APPLICATION ON 11KV AND 22KV NETWORKS IN CORROSIVE ENVIRONMENTS;            IDENTIFICATION: INDELIBLE MNFRS TRADEMARK AND PART NUMBER ON ALL ITEMS;            ESKOM DRAWING No. D-DT-3087 *</p>								
SAP MATERIAL No.:	0582362								
SHORT DESCRIPTION:	BLADE ELECT:REMOVABLE;22 KV;630 A;BRS								
TECH. DESCRIPTION:	<p>BLADE, ELECTRICAL: TYPE: REMOVABLE; POTENTIAL: 22 KV;            CURRENT: 630 A; MATERIAL: BRS;            REMOVABLE SWITCHBLADE FOR 22KV SINGLE PHASE DISCONNECTOR SWITCH;            CORROSION: SANS121; BS 2816; STANDARD: IEC/SANS 62271-102;            IEC/SANS 62271-1; IEC/SANS 60815; IEC/SANS 61230; ESKOM: 240-68973356; DPC 34-216;            IDENTIFICATION: INDELIBLE MNFRS TRADEMARK AND PART NUMBER ON ALL ITEMS;            ESKOM DRAWING No. D-DT-3087 *</p>								
SAP MATERIAL No.:	0582356								
SHORT DESCRIPTION:	SWITCH DSCNNCT:FIXED; CSTL;22 KV;630 A								
TECH. DESCRIPTION:	<p>SWITCH, DISCONNECT: TYPE: FIXED; CSTL; POTENTIAL: 22 KV;            CURRENT: 630 A; ACTION: PULL TO OPEN; PUSH TO CLOSE;            APPLICATION: SINGLE PHASE LINE OFFLOAD;            DISCONNECTOR; FIXED SWITCHBLADE;            LINK STICK OPERATED; RATED VOLTAGE: 24KV;            RATED SHORT-TIME (3S) CURRENT: 12.5KA;            BIL - TERMINAL TO EARTHED FIXING STEM: 150KV;            MINIMUM CREEPAGE: 31MM/KV;            COMPLETE WITH: LATCHING MECHANISM AND PULL-TO OPEN AND PUSH-TO-CLOSE LEVER AND            EARTHING PIN; FOR APPLICATION ON 11KV AND 22KV NETWORKS IN CORROSIVE ENVIRONMENTS;            IDENTIFICATION: INDELIBLE MNFRS TRADEMARK AND PART NUMBER ON ALL ITEMS;            ESKOM DRAWING No. D-DT-3087 *</p>								
7	SAP 0582355 & 0582356 SHORT, LONG DESCRIPTION UPDATED. SAP 0582362 ADDED.			J.SHINTA	S. VAN AARDE.	S. VAN AARDE.	22/10/2021		
6	0207969, 0207970, 0207971, 0207972, 0582349, 0582350, 0582351, 0582352, 0582353, 0582354, 0582357, 0582358, 0582359, 0582360, 0582361, 0582362 0582363, 0582364, 0582365 REMOVED AND DIAMETER OF EARTH PIN CHANGED FROM M10 TO M12			P.A.T.	S. VAN AARDE.	S VAN AARDE	06.07.2018		
5	REMOVABLE FIXED SWITCH DISCONNECTORS ADDED			P.A.T.	S. VAN AARDE.	S VAN AARDE	11.07.2014		
REV	REVISION DESCRIPTION			BY	CHKD	AUTH	DATE	REF. DWGS	
AUTH:	R. THERON	DATE:	14.10.2003	SCALE	 <b>D-DT-3087</b>		SAP No:		
CHKD:	S. MOLOKO	DATE:	14.10.2003	NTS			0582355	0582356	
DRAWN:	P.A. VERMAAK	DATE:	09.06.2003	CAD REF:			0582362	SET	SHEET
				SERIES 3000		3	3	7	
				FILE No:					
				3087					